



PRODUCT CATALOGUE

Fencing Systems



BGS-Panel Fencing Panels

BGS-Panel is a Fencing System Complete Set, including panels, posts and fixing accessories that meets all customer requirements for different levels of protection. Fencing System offers great security, strength, and guarantee for long-lasting and attractive appearance. In fact, the field of application of the Fencing System is literally in all areas of life. BGS-Panel is a universal solution when a fence is needed - of houses and villas, of manufacturing and business centres, of playgrounds, of airports and military zones.

Some of the main advantages of the Fencing System are: strength, durability, easy installation and extremely beneficial quality /price ratio.

Fencing System Technical Specifications

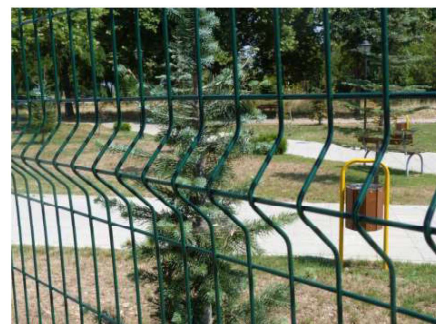
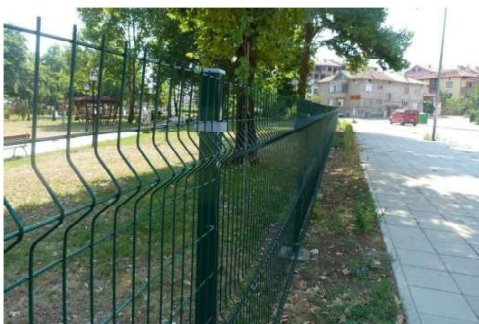
Made of solid transverse carbon wires, 4,0mm thickness (vertical/horizontal wires).

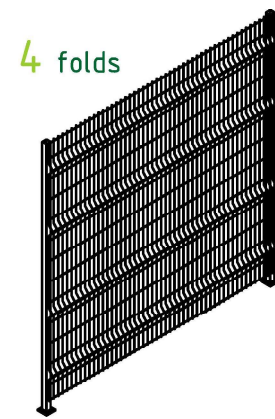
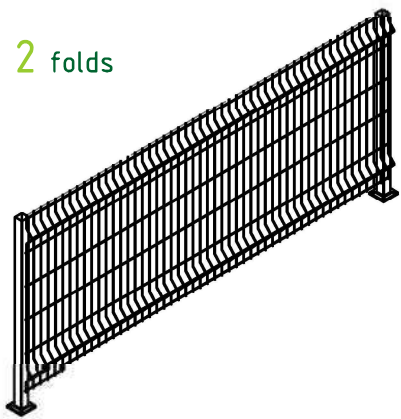
Mesh Size: 50x200 mm; 50x150 mm

Width: 2000 mm; 2500 mm; 3000 mm

Height: from 1230 mm to 2530 mm, 2 to 4 longitudinal folds to increase rigidity and improve the aesthetic appearance of the fence.

Height	Width	Opening Size	Wire Thickness	"V" folds
1,23 m	2,50 m	150x50 mm	ø4,0	2 pcs.
1,50 m	2,50 m	150x50 mm	ø4,0	3 pcs.
1,83 m	2,50 m	200x50 mm	ø4,0	3 pcs.
2,03 m	2,50 m	200x50 mm	ø4,0	4 pcs.
2,43 m	3,00 m	200x50 mm	ø4,0	4 pcs.
2,53 m	2,50 m	200x50 mm	ø4,0	4 pcs.





BGS-Panel Fencing Panels are manufactured in the range of three coating options in order to demonstrate an aesthetic appearance and provide an improved level of corrosion protection:

BGS-Panel HDG Model - Panels are made of pre-hot-galvanized profiles and wires.

BGS-Panel PC Model - Panels and posts are made of pre-hot-galvanized profiles and wires and then various colours are applied by using powder painting. Coating provides an increased level of corrosion protection and a better aesthetic appearance.

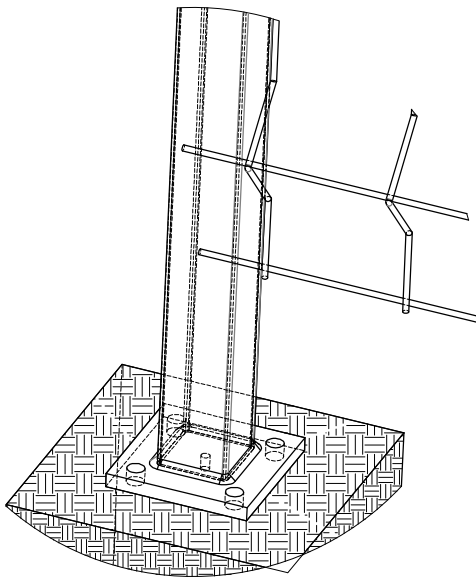
Specification

System	Coating	Height	Width	Wire Thickness
BGS- Panel	HDG/PC	1230 mm	2000/2500 mm	Ø4 mm
BGS- Panel	HDG/PC	1500 mm	2000/2500/3000 mm	Ø4 mm
BGS- Panel	HDG/PC	1830 mm	2000/2500/3000 mm	Ø4 mm
BGS- Panel	HDG/PC	2030 mm	2000/2500/3000 mm	Ø4 mm
BGS- Panel	HDG/PC	2430 mm	2000/2500/3000 mm	Ø4 mm
BGS- Panel	HDG/PC	2530 mm	2000/2500/3000 mm	Ø4 mm

BGS-Post Fencing Posts

Made of hollow steel sections, size 50x50 mm, wall thickness 1.8 mm. Posts base has an anchor plate with four holes and thickness 6.0 mm, which enables a secure and stable attachment to concrete foundation.

BGS-F-Post Fixed Height Posts

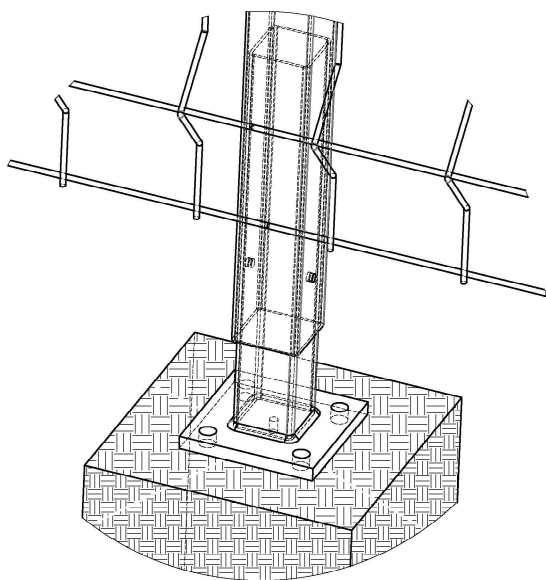


Manufactured in the range of three coating options, as the HDG and PC panels.

Product	Product	Coating	Height
Fencing Post - Fixed	BGS - F - Post	HDG//PC	1100 mm
Fencing Post - Fixed	BGS - F - Post	HDG//PC	1200 mm
Fencing Post - Fixed	BGS - F - Post	HDG/PC	1300 mm
Fencing Post - Fixed	BGS - F - Post	HDG//PC	1500 mm
Fencing Post - Fixed	BGS - F - Post	HDG/PC	1600 mm
Fencing Post - Fixed	BGS - F - Post	HDG//PC	1800 mm
Fencing Post - Fixed	BGS - F - Post	HDG/PC	1900 mm
Fencing Post - Fixed	BGS - F - Post	HDG//PC	2000 mm
Fencing Post - Fixed	BGS - F - Post	HDG/PC	2100 mm
Fencing Post - Fixed	BGS - F - Post	HDG/PC	2500 mm
Fencing Post - Fixed	BGS - F - Post	HDG/PC	2600 mm
Fencing Post - Fixed	BGS - F - Post	HDG/PC	3000 mm



BGS-R-Post Adjustable Height Posts

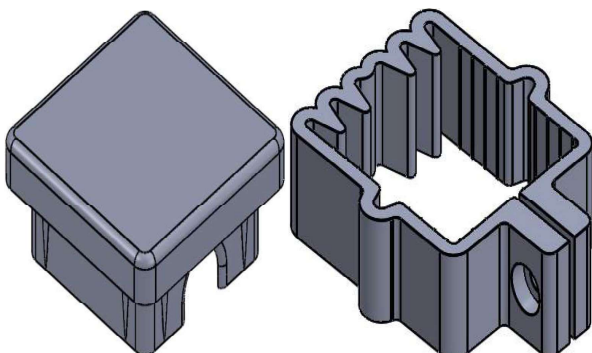


Manufactured in the range of three coating options, as the HDG and PC panels.

Product	Product	Coating	Height
Fencing Post - adjustable	BGS - F - Post	HDG/PC	1100 mm
Fencing Post - adjustable	BGS - F - Post	HDG/PC	1200 mm
Fencing Post - adjustable	BGS - F - Post	HDG/PC	1300 mm
Fencing Post - adjustable	BGS - F - Post	HDG/PC	1500 mm
Fencing Post - adjustable	BGS - F - Post	HDG/PC	1600 mm
Fencing Post - adjustable	BGS - F - Post	HDG/PC	1800 mm
Fencing Post - adjustable	BGS - F - Post	HDG/PC	1900 mm
Fencing Post - adjustable	BGS - F - Post	HDG/PC	2000 mm
Fencing Post - adjustable	BGS - F - Post	HDG/PC	2100 mm
Fencing Post - adjustable	BGS - F - Post	HDG/PC	2500 mm
Fencing Post - adjustable	BGS - F - Post	HDG/PC	2600 mm
Fencing Post - adjustable	BGS - F - Post	HDG/PC	3000 mm

Fixing Accessories

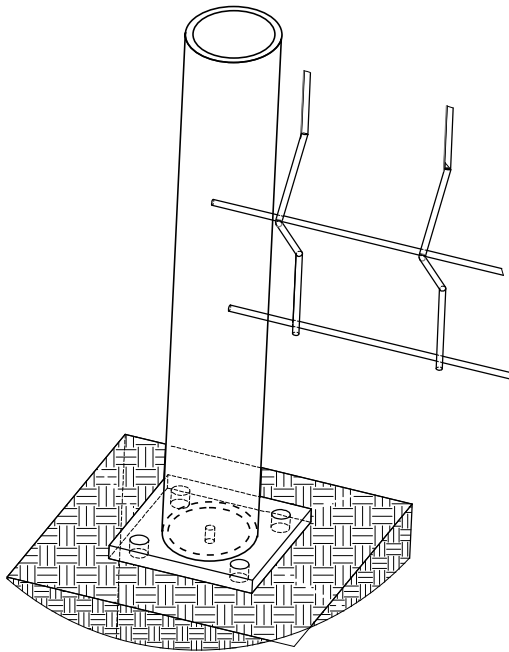
Fencing System includes loop caps mounted upon each post and brackets for fixing fence panels to fence posts. They are made of plastic resistant to UV, with a guaranteed durability. Alternative option for fixing the fence panels are metal brackets galvanized - HDG and powder coating - PC



BGS-Pillar Fencing Posts

Made of galvanized tube $\varnothing 48$ and $\varnothing 63$ with different thicknesses on the wall. They are round, hot galvanized from the inside and outside. At the base, the pillars have an anchor plate with four holes and thickness of 6.0 mm, which enables a secure and stable attachment to concrete foundation.

Fixed Height BGS-P-Post



Manufactured in the range of two coating options, as the HDG and PC panels.

Product	Product	Coating	Height
Fencing Post - Fixed	BGS - F - Post	HDG//PC	1100 mm
Fencing Post - Fixed	BGS - F - Post	HDG//PC	1200 mm
Fencing Post - Fixed	BGS - F - Post	HDG/PC	1300 mm
Fencing Post - Fixed	BGS - F - Post	HDG//PC	1500 mm
Fencing Post - Fixed	BGS - F - Post	HDG/PC	1600 mm
Fencing Post - Fixed	BGS - F - Post	HDG//PC	1800 mm
Fencing Post - Fixed	BGS - F - Post	HDG/PC	1900 mm
Fencing Post - Fixed	BGS - F - Post	HDG//PC	2000 mm
Fencing Post - Fixed	BGS - F - Post	HDG/PC	2100 mm
Fencing Post - Fixed	BGS - F - Post	HDG/PC	2500 mm
Fencing Post - Fixed	BGS - F - Post	HDG/PC	2600 mm
Fencing Post - Fixed	BGS - F - Post	HDG/PC	3000 mm

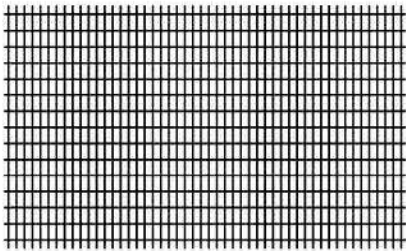


BGS-Panel Flat Fence Panels

Made of electrically welded semi-rigid galvanized wire; offering a proven quality and durability at affordable prices.

Technical description:

Fencing galvanized mesh with rectangular openings (electro-welded) of panels.



Type of Material: semi-rigid galvanized wire

Type of Coating: Zn (Hot - galvanization)

Size: 1,0 x 2,0m, 1,5 x 2,5 m, 2,0 x 2,0 m, 2,0 x 2,5 m and 2,0 x 3,0 m

Wire diameter : \varnothing 4,0 mm and \varnothing 5.0 mm

Opening Size: 50x50 mm, 50x100 mm, 50x150 mm and 50x200 mm

Panel Size	Opening Size	Wire Thickness
1,0x2,0 m	50x50 mm	4,0 и 5,0 mm
1,0x2,0 m	50x100 mm	4,0 и 5,0 mm
1,0x2,0 m	50x150 mm	4,0 и 5,0 mm
1,0x2,0 m	50x200 mm	4,0 и 5,0 mm
1,5x2,5 m	50x50 mm	4,0 и 5,0 mm
1,5x2,5 m	50x100 mm	4,0 и 5,0 mm
1,5x2,5 m	50x150 mm	4,0 и 5,0 mm
1,5x2,5 m	50x200 mm	4,0 и 5,0 mm
2,0x2,0 m	50x50 mm	4,0 и 5,0 mm
2,0x2,0 m	50x100 mm	4,0 и 5,0 mm
2,0x2,0 m	50x150 mm	4,0 и 5,0 mm
2,0x2,0 m	50x200 mm	4,0 и 5,0 mm
2,0x2,5 m	50x50 mm	4,0 и 5,0 mm
2,0x2,5 m	50x100 mm	4,0 и 5,0 mm
2,0x2,5 m	50x150 mm	4,0 и 5,0 mm
2,0x2,5 m	50x200 mm	4,0 и 5,0 mm
2,0x3,0 m	50x50 mm	4,0 и 5,0 mm
2,0x3,0 m	50x100 mm	4,0 и 5,0 mm
2,0x3,0 m	50x150 mm	4,0 и 5,0 mm
2,0x3,0 m	50x200 mm	4,0 и 5,0 mm



BGS-Roll Electro-welded Fencing Mesh

Made of electrically welded semi-rigid galvanized wire; offering a proven quality and durability at affordable prices.

Advantages: Some advantages are: the extremely easy installation that could be carried out also by non-professionals.

Fields of Application: fencing of houses, agricultural areas, construction of cells for large birds or small animals, and also construction of underwater fish hatcheries.

Technical description:

Fencing galvanized mesh with rectangular or square openings (electrically welded).

Type of Material: semi-rigid galvanized wire

Type of Coating: Zn (Hot-galvanization)

Size: Rolls Height of 1.10-1.30-1.50-1.70-1.90 m and Length of 20 m

Wire Diameter: \varnothing 1.9 mm / \varnothing 2.0 mm / \varnothing 2.2 mm (horizontal / vertical)

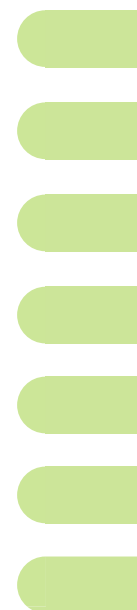
Opening Size: 6x10 cm and 5x5 cm



BGS-Roll Electro-welded Fencing Mesh

Specification

Mesh Height	Opening Size	Wire Thickness	Roll Length
1,1 m	5x5 cm	ø1,9/2,0/2,2mm	20 m
1,3 m	5x5 cm	ø1,9/2,0/2,2mm	20 m
1,5 m	5x5 cm	ø1,9/2,0/2,2mm	20 m
1,7 m	5x5 cm	ø1,9/2,0/2,2mm	20 m
1,9 m	5x5 cm	ø1,9/2,0/2,2mm	20 m
1,1 m	6x10 cm	ø1,9/2,0/2,2mm	20 m
1,3 m	6x10 cm	ø1,9/2,0/2,2mm	20 m
1,5 m	6x10 cm	ø1,9/2,0/2,2mm	20 m
1,7 m	6x10 cm	ø1,9/2,0/2,2mm	20 m
1,9 m	6x10 cm	ø1,9/2,0/2,2mm	20 m
1,1 m	5x5 cm	ø1,9/2,0/2,2mm	20 m
1,3 m	5x5 cm	ø1,9/2,0/2,2mm	20 m
1,5 m	5x5 cm	ø1,9/2,0/2,2mm	20 m
1,7 m	5x5 cm	ø1,9/2,0/2,2mm	20 m
1,9 m	5x5 cm	ø1,9/2,0/2,2mm	20 m
1,1 m	6x10 cm	ø1,9/2,0/2,2mm	20 m
1,3 m	6x10 cm	ø1,9/2,0/2,2mm	20 m
1,5 m	6x10 cm	ø1,9/2,0/2,2mm	20 m
1,7 m	6x10 cm	ø1,9/2,0/2,2mm	20 m
2,0 m	6x10 cm	ø1,9/2,0/2,2mm	20 m



BGS-Net Knitted Fencing Mesh

Made by weaving together strands of hot galvanized wire.

Some of their advantages are: the extreme strength and capacity to achieve optimal budget by choosing from a wide range of combinations between the thickness of wire and the mesh opening size.

Wire thickness options – in the range of 1.80 mm and 3,00 mm; Opening sizes available – in the range of 3x3 cm and 7x7 cm. Rolls length – 10 m, Height varies in the range of 1.0 and 3.0 m.

Fields of application: appropriate use in agriculture, livestock, industry and military industry.

Main Dimensions:

Opening Size	Wire Thickness 1.8 to 3.0m	Mesh Height	Relative Weight
3x3 cm	ø2,0 mm	1,0÷3,0 m	1,85 kg/m ²
4x4 cm	ø2,0 mm	1,0÷3,0 m	1,40 kg/m ²
5x5 cm	ø2,0 mm	1,0÷3,0 m	1,15 kg/m ²
6x6 cm	ø2,0 mm	1,0÷3,0 m	0,95 kg/m ²
7x7 cm	ø2,0 mm	1,0÷3,0 m	0,80 kg/m ²



BGS-BW Barbed Wire

Double-braided wires with inserted spikes at a specific distance - 4 spikes, spaced at a distance of 12.0 cm.

Can be used for various fencing systems, on its own or in addition to a fence.

Field of application: industry, agriculture, military sector etc.

Made of galvanized wire with a diameter of $\varnothing 1.6$ mm. and $\varnothing 2.0$ mm.



BGS-XG Gabions

Double-twisted (hexagonal) wire mesh is manufactured according to EN 10233-3.

Wire Diameter: from 2.5mm to 4.0 mm, according to EN 10218-2. tensile strength 380-500 N / mm²

Coating: hot galvanizing according to EN 10244-2. max. 275 g/m²

Grid: 8x10 cm

Length of Rolls: 20,00 m

Width: om 1,50 m to 3,50 m

Intended use:

- Principal protection of side surfaces on steep slopes
- Control and prevention of soil erosion
- Ground stabilization and strengthening slopes
- As a rock fall prevention safety mesh
- For flow control and drainage of surface water
- For gabions (baskets) manufacturing

Gabions are modules with a rectangular shape and various sizes. They are filled with river stones or crashed stones with a suitable fraction consistent with the mesh grid. Features: high flexibility, durability, strength, water permeability, economy and perfect eco-friendliness. Fields of Application: mainly used in preventing erosion problems, embankments protection, construction of retaining walls, hydraulic facilities etc.



Some advantages of Gabion are:

- Minimum work amount on the preparation of basic facilities. Simple structures requiring a far less skilled labour during installation; Highly permeable, gabions structures act as draining reservoirs, and therefore no need to construct new ones; Cost effective and simple to apply in every case, especially in natural disasters.
- Easy installation structure – extremely appropriate for fast stabilization on ground surfaces and drainage water

Made of double-twisted (hexagonal) wire mesh according to EN 10233-3.

Wire Diameter: principal wire mesh 2.7 mm and 3.0 mm, angular wire 3,4 mm and 3,9 mm; according to EN 10218-2.

Tensile Strength: 380-500 N/mm²

Coating: hot galvanizing acc. EN 10244-2. max. 275 g/m²

Grid: 8x10 cm

Length	Width	Height	Diaphragms
1,0 m	0,5 m	0,5 m	-
1,0 m	1,0 m	0,5 m	-
1,0 m	1,0 m	1,0 m	-
1,5 m	1,0 m	0,5 m	-
1,5 m	1,0 m	1,0 m	-
2,0 m	0,5 m	0,5 m	1 бр.
2,0 m	1,0 m	0,5 m	1 бр.
2,0 m	1,0 m	1,0 m	1 бр.
2,0 m	1,5 m	0,5 m	1 бр.
2,0 m	1,5 m	1,0 m	1 бр.
2,0 m	2,0 m	0,5 m	1 бр.
2,0 m	2,0 m	1,0 m	1 бр.
2,5 m	1,0 m	1,0 m	2 бр.
3,0 m	0,5 m	0,5 m	2 бр.
3,0 m	1,0 m	0,5 m	2 бр.
3,0 m	1,0 m	1,0 m	2 бр.
3,0 m	1,5 m	0,5 m	2 бр.
3,0 m	1,5 m	1,0 m	2 бр.
3,0 m	1,5 m	1,5 m	2 бр.

Gabions - mattresses

Дължина	Ширина	Височина	Наличие на диафрагми
2,0m	2,0m	0,30m	1
3,0m	2,0m	0,30m	2
4,0m	2,0m	0,30m	3
5,0m	2,0m	0,3m	4



BGS-Stucco Plaster Reinforcing Mesh

Field of Application: to reinforce facade plasters and finishes, linings of tiles and terracotta, accumulating screeds for under-floor heating systems, heat and waterproof of floating screeds, screeds on balconies and terraces.

Advantages:

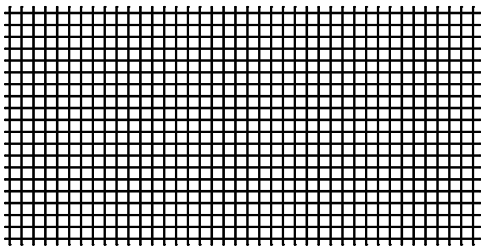
- Prevents screeds and plasters cracking and lifting
- Prevents joints expansion in case of possible cracks
- Prevents bending in case of walking on the reinforcement
- BGS-Stucco Flat /without Spacing bends/ ensures a minimum screeds thickness -1.6mm/1.8 mm wire thickness.
- BGS-Stucco /with Spacing bends/ eliminates the need of laying screed chairs
- Optimum grid size- 50 x 50 mm or 75 x 75 mm



BGS-Stucco Reinforcing Mesh

Types of wire mesh:

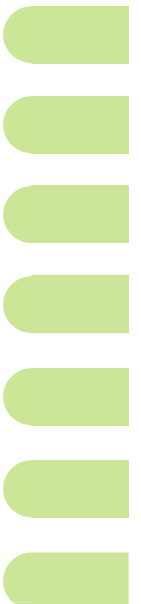
BGS-Stucco Flat Reinforcing Mesh 1.6/1.8 mm without Spacing bends:



- Panel Dimension: 2 x 1 m
- Mesh Size: 50 x 50 mm or 75 x 75 mm
- 1 pallet = 500 pcs.

BGS-Stucco Flat Specification

Type	Panel Dimension	Opening Size	Wire Thickness
BGS - Stucco Flat	2,0 x 1,0 m	50 x 50 mm	Ø1,6/1,8
BGS - Stucco Flat	2,0 x 1,0 m	50 x 70 mm	Ø1,6/1,8



FENCES

BULGARIA, 2850 Petrich

tel.: +359 743 92 2 92

mob.: +359 888 35 00 38

office@fences.bg

